

Installation instructions for PZ4AL- 09400- 00

## **LEXUS GS 460**

Under Run Protective Shield engine bay



Model Year: **LEXUS GS 460 - 2005**

Vehicle Code: URS190L-BEZQHW

Part Number: PZ4AL-09400-00



Weight: 11,2 kg

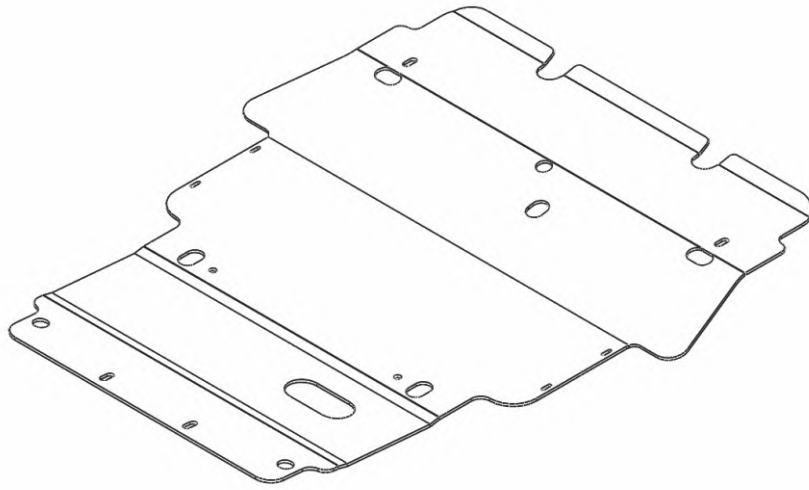


Installation Time: 30 min

Manual reference number: AIM 000-855-00

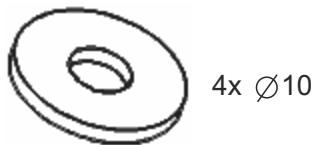
Part number: PZ4AL-09400-00

**A**



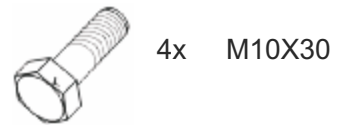
PZ4AL-07690-60

**B**



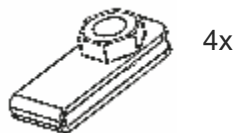
4x Ø10

**C**



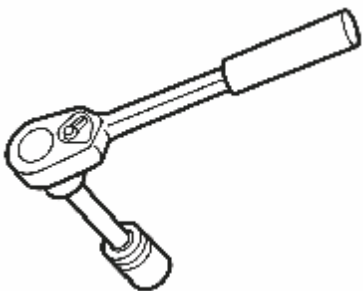
4x M10X30

**D**



4x

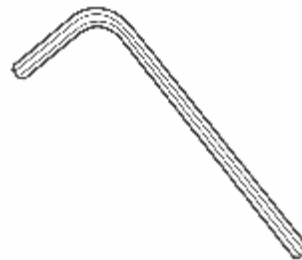
**E**



**F**



**G**



**H**



Partnumber:  
PZ4AL-09400-00

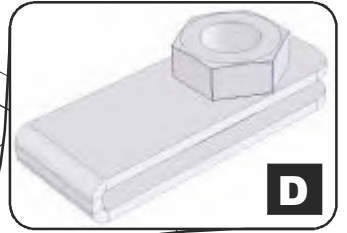
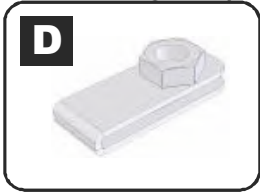
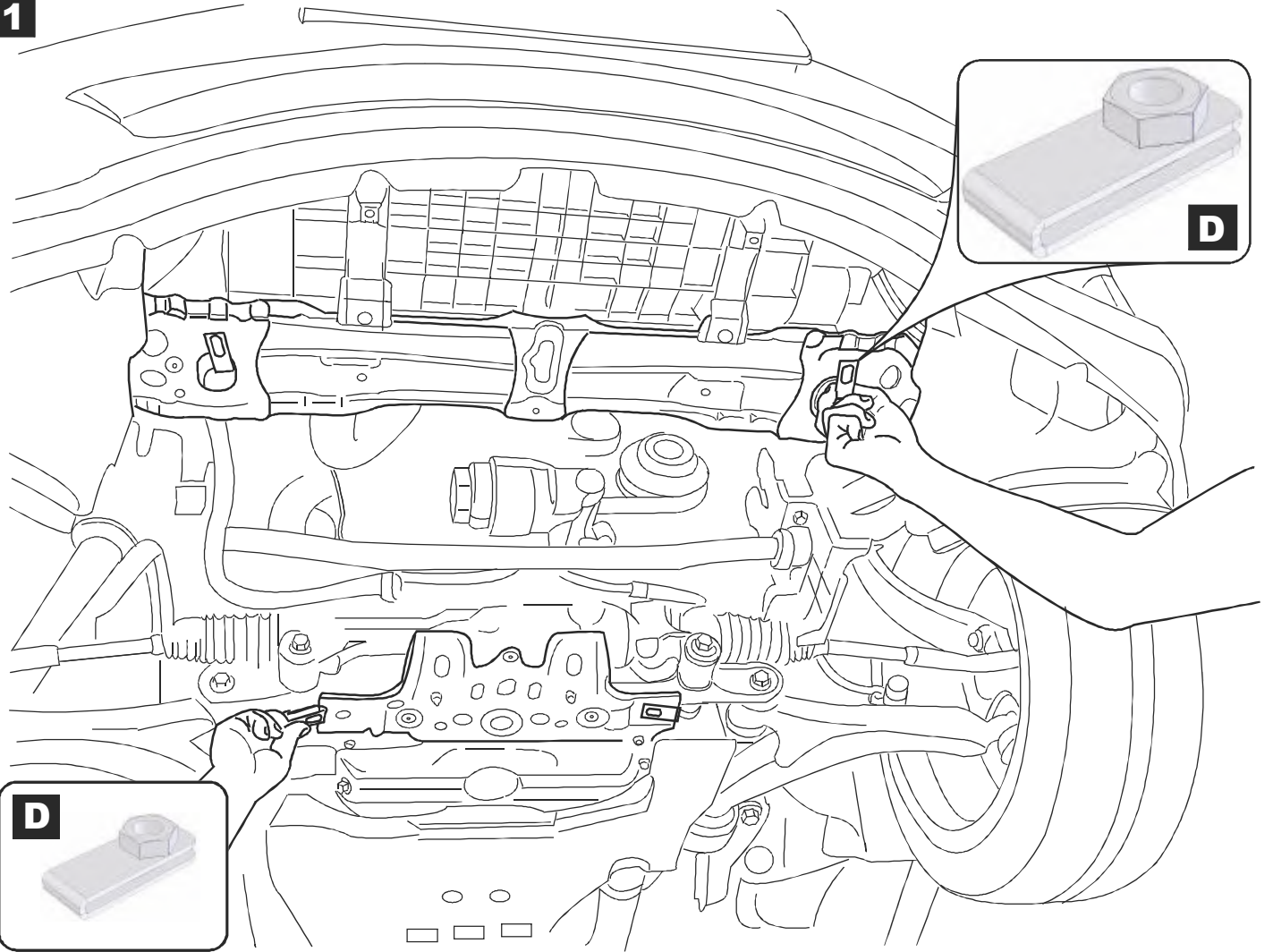
Issue:  
0

Date:  
19/12/06

Manual reference number:  
AIM 000-855-00

Page:  
2/3

1



2

